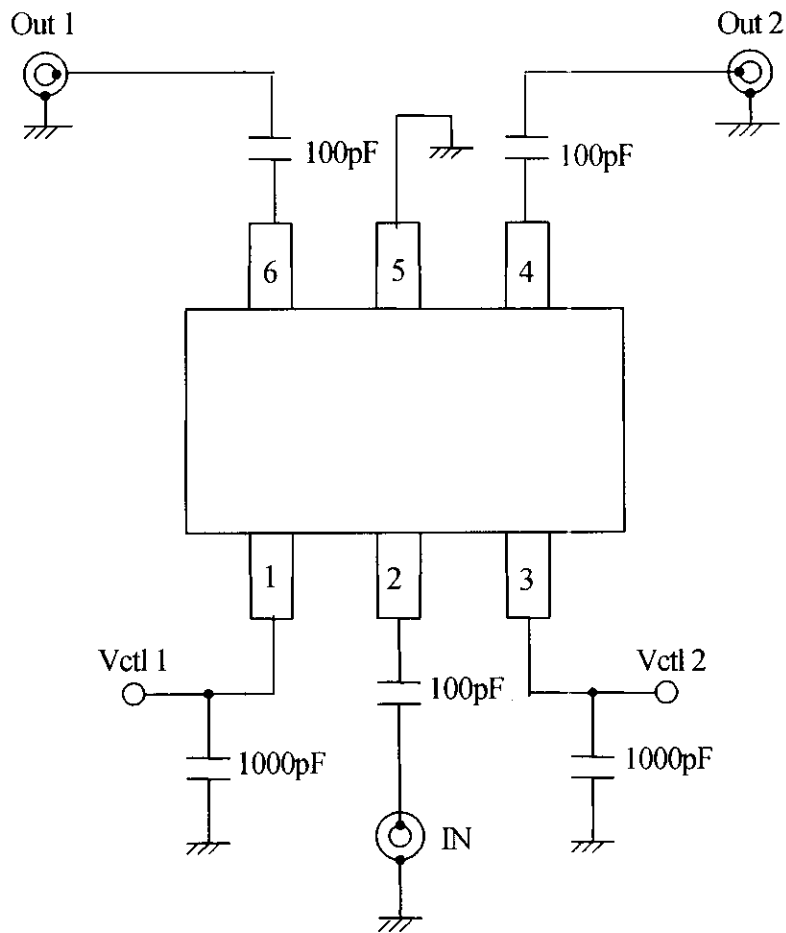


Product Specification Type Number: GN04017N0L		Designed	Checked	Checked	Approved	
Type	GaAs Integrated Circuit					
Application	High Frequency Switching for Mobile Communication					
Structure	N Channel Metal Semiconductor Type MMIC					
Outline	Smini6-G1			Marking : AE		
Absolute Maximum Ratings	VDD 8 (V)	Vctrl(H)-Vctrl(L) +6 (V)	Pin 37 (dBm)	Topr -30~+90 (degC)	Tstg -40~+120 (degC)	
Electrical Characteristics (Vcont(L)=0V, Vcont(H)=3.0V, f=1920 - 2170MHz, Ta=25+/-3degC)						
Item	Symbol	Measuring Conditions	Typ.	Limit		Unit
				Min	Max	
Insertion Loss	IL *1	IN-OUT1, Pin=26dBm, f=887~925MHz	0.20		0.45	dB
		IN-OUT2, Pin=26dBm, f=887~925MHz	0.20		0.45	dB
Isolation	ISO *1	IN-OUT1(IN-OUT2 ON) f=887~925MHz	28	23		dB
		IN-OUT2(IN-OUT1 ON) f=887~925MHz	28	23		dB
Voltage Standing Wave Ratio	VSWR *2	IN-OUT1 f=887~925MHz	1.05		1.15	dB
		IN-OUT2 f=887~925MHz	1.05		1.15	dB
Input 0.1dB Compression	Pin (0.1dB) *1	Vctrl(H)=3V f=887~925MHz	32	30		dBm
Input 1dB Compression	Pin (1.0dB) *2	Vctrl(H)=3V f=887~925MHz	34	32		dBm
Control Current	Ictrl *1		10		30	uA
Switching Time	Tsw		0.2		1	us
<p>Note:</p> <p>*1: See the test circuits in the next page</p> <p>*2: Designed specification</p>						

Product Specification
 Type Number: GN04017N0L

Unit: mm

Test Circuit



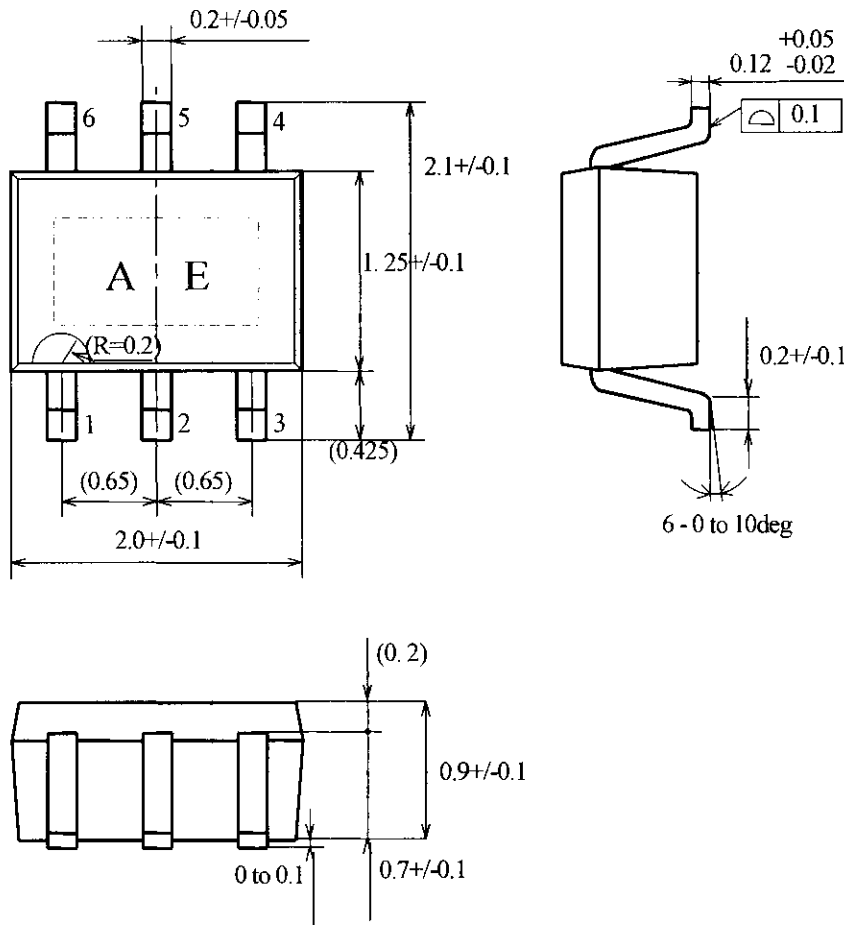
Logic table

ON - Path	Vctrl 1	Vctrl 2
IN - OUT1	H	L
IN - OUT2	L	H

Product Specification
 Type Number: GN04017N0L

Unit : mm

Outline : Smini6-G1



Item	Contents
Lead material	Cu
Lead finish	Solder dipping or Plating
Mold material	Epoxy

Pin out

1	: Vctrl 1
2	: IN
3	: Vctrl 2
4	: OUT2
5	: GND
6	: OUT1